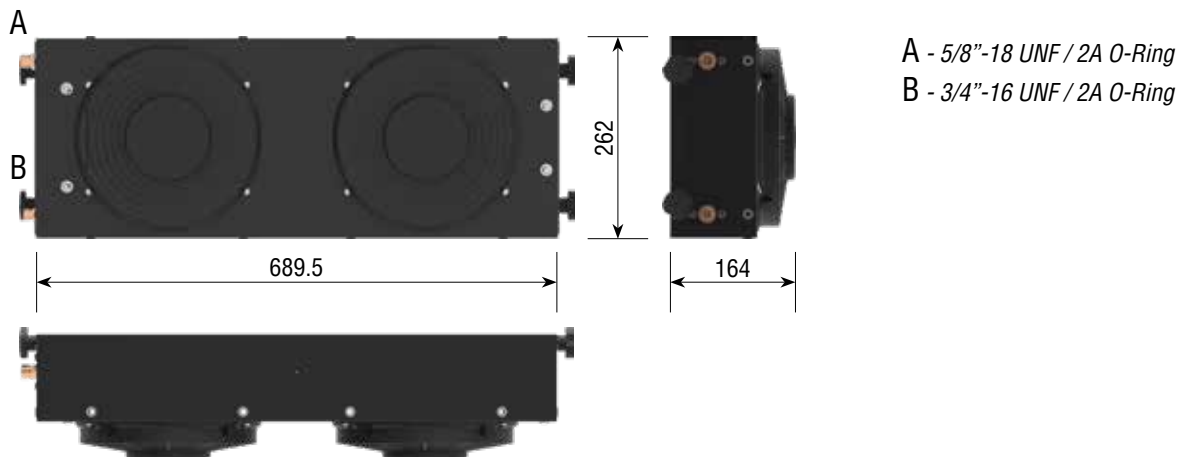
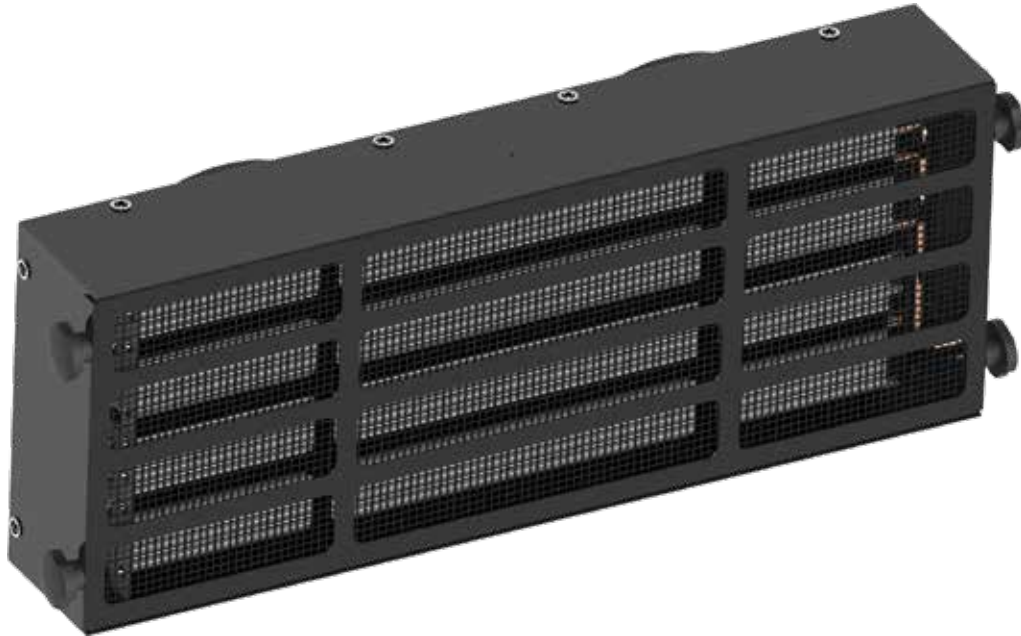


# GRANDAZ

Serpentine condenser with fans to mount horizontal or vertical  
Condensatore a serpentina da montare in verticale o orizzontale



## GRANDAZ Roof top and under chassis condenser / Condensatori a tetto e sottoscocca

### Condenser / Condensatore

Part. Codice	Voltage Voltaggio	Ampere Amperaggio	Dissipable Thermal Power Potenza termica dissipabile	Fin Pitch Passo alette	Air m <sup>3</sup> /h Aria m <sup>3</sup> /h	Weight Peso	Case Rivestimento
A00295ES	12 V	2x6.7 A	12000 kcal/h	2.5 mm	2x1060	13.8 kg	Painted sheet metal
A00296ES	24 V	2x3.7 A	12000 kcal/h	2.5 mm	2x1060	13.8 kg	Painted sheet metal