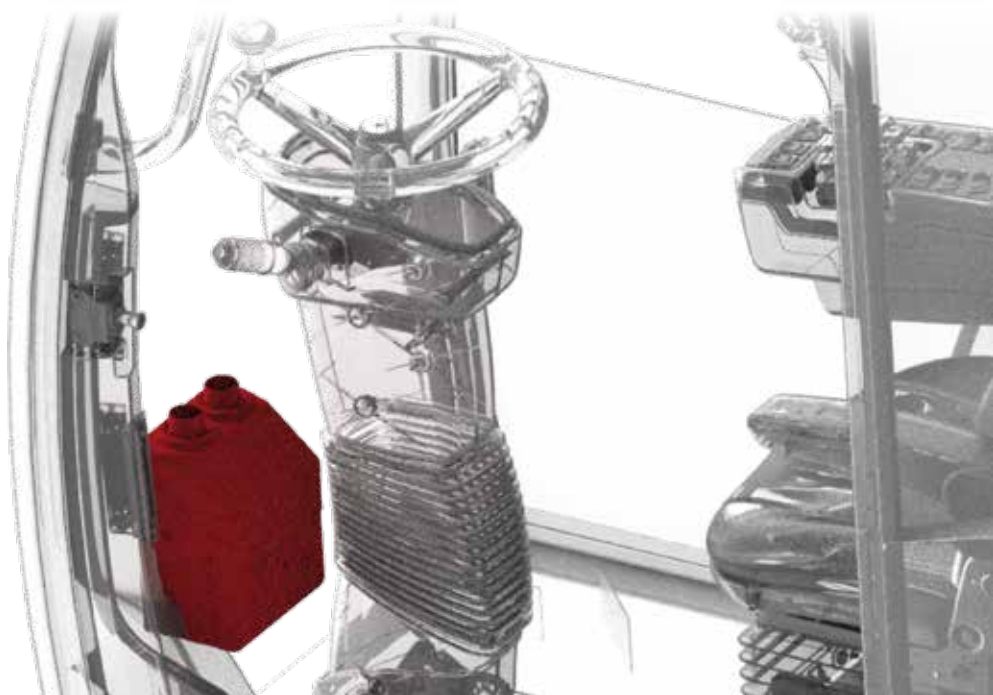


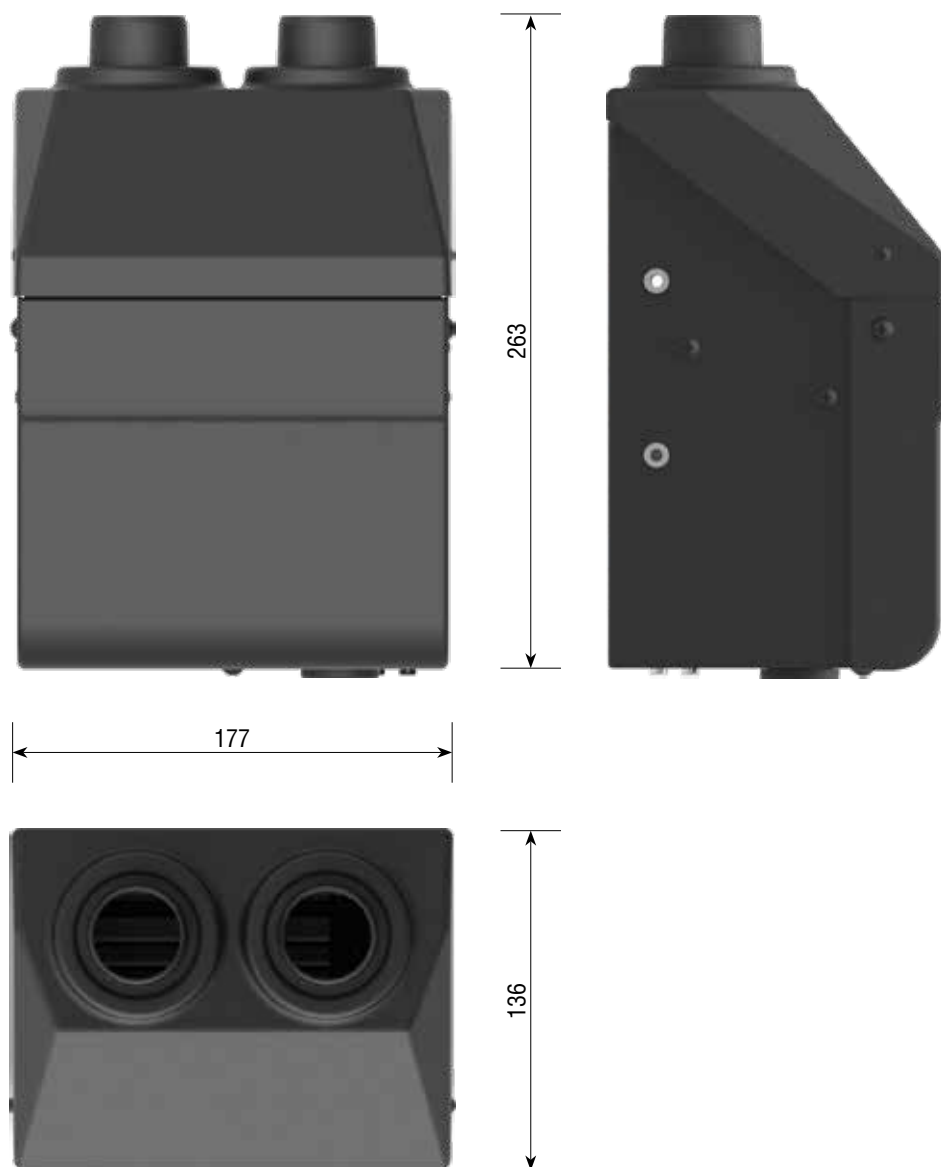
NIBION

Electric Heater Unit
Riscaldatore Elettrico



Position in the cabin
Posizione in cabina





NIBION Electric Heater / Riscaldatore Elettrico

E-HV Heating / Caldo

Part. Codice	Ventilation Ventilazione	Power Tensione	Heater Riscaldamento	Air m ³ /h Aria m ³ /h	Weight Peso	Case Rivestimento
A0CC27ES-12V12V	12 V	12 V	1200 W	210	2.8 kg	Plastic ABS
A0CC27ES-12V36V	12 V	36 V	1200 W	210	2.8 kg	Plastic ABS
A0CC27ES-12V48V	12 V	48 V	1200 W	210	2.8 kg	Plastic ABS
A0CC27ES-12V80V	12 V	80 V	1200 W	210	2.8 kg	Plastic ABS
A0CC27ES-12V96V	12 V	96 V	1200 W	210	2.8 kg	Plastic ABS
A0CC27ES-12V120V	12 V	120 V	1200 W	210	2.8 kg	Plastic ABS
A0CC27ES-24V24V	24 V	24 V	1200 W	210	2.8 kg	Plastic ABS
A0CC27ES-24V48V	24 V	48 V	1200 W	210	2.8 kg	Plastic ABS
A0CC27ES-24V80V	24 V	80 V	1200 W	210	2.8 kg	Plastic ABS
A0CC27ES-24V120V	24 V	120 V	1200 W	210	2.8 kg	Plastic ABS