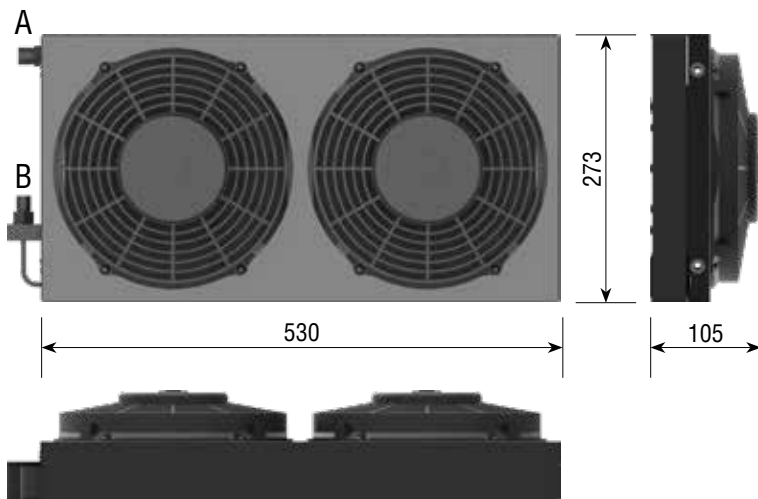


OSCIA'

Serpentine condenser with fans to mount horizontal or vertical
Condensatore a serpentina da montare in verticale o orizzontale



A - 3/4"-16 UNF / 2A O-Ring

B - 5/8"-18 UNF / 2A O-Ring

OSCIA' Roof top and under chassis condenser / Condensatori a tetto e sottoscocca

Condenser / Condensatore

Part. Codice	Voltage Voltaggio	Ampere Amperaggio	Dissipable Thermal Power Potenza termica dissipabile	Fin Pitch Passo alette	Air m ³ /h Aria m ³ /h	Weight Peso	Case Rivestimento
A00262ES	12 V	2x8 A	8500 kcal/h	2.1 mm	2250	8.8 kg	Painted sheet metal
A00263ES	24 V	2x4 A	8500 kcal/h	2.1 mm	2250	8.8 kg	Painted sheet metal