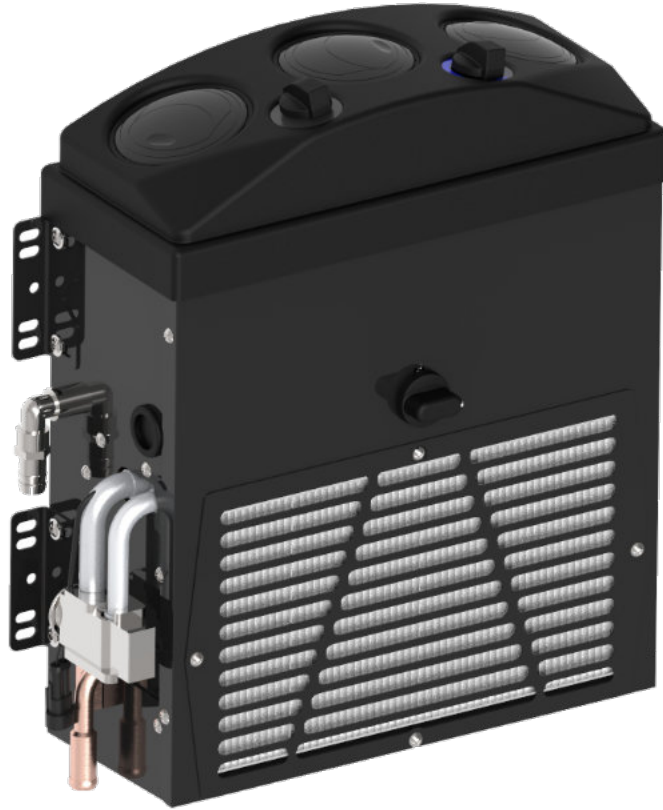




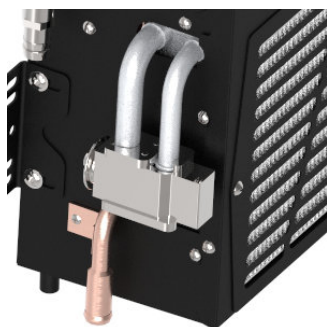
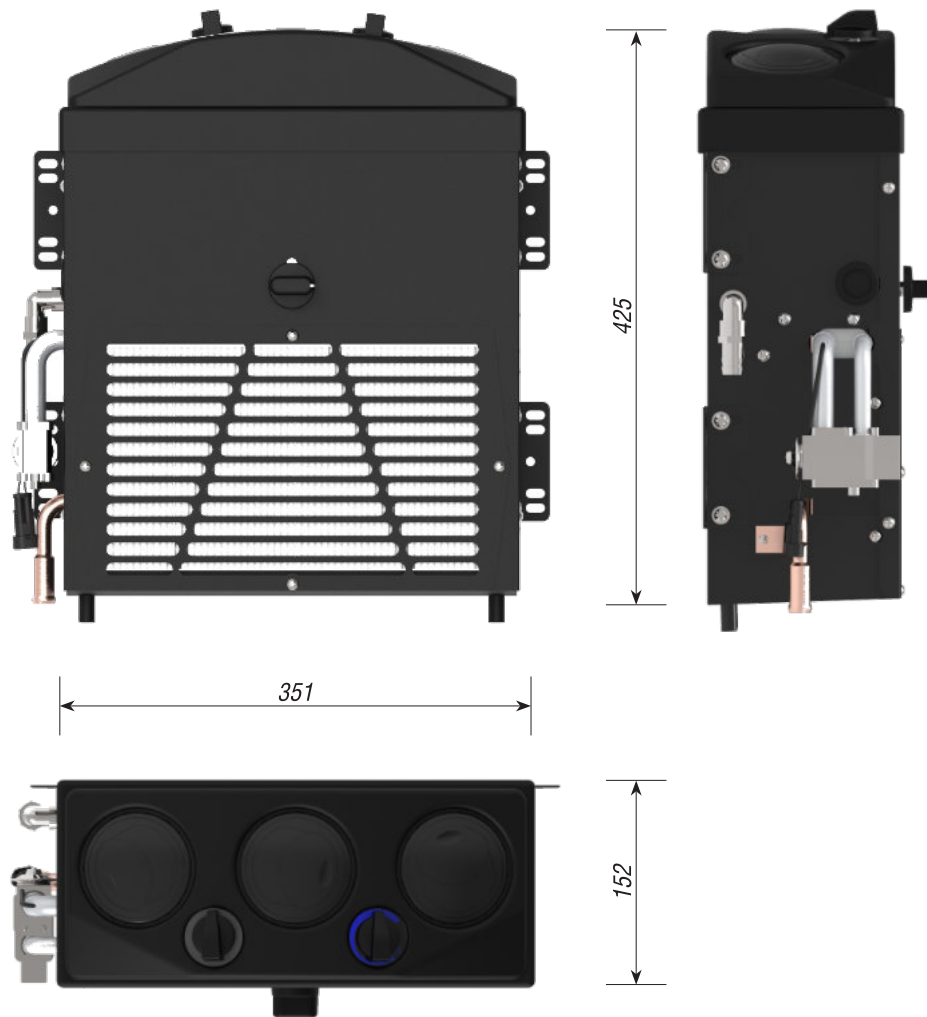
## VERTICAL GRANDE

*Air Conditioner Cooling & Heating*  
*Climatizzatore Caldo e Freddo*



*Position in the cabin*  
*Posizione in cabina*





*Air connector with  
2 TON Expansion Valve*

*Connettore aria con  
valvola a espansione  
2 TON*





*Water connector  
diameter 16 mm*

*Connettori acqua  
diametro 16 mm*

**VERTICAL GRANDE** *Air Conditioner Cooling & Heating / Climatizzatore Caldo e Freddo*

**HVAC**  *Cooling & Heating / Caldo & Freddo*

	Part. Codice	Voltage Voltaggio	Ampere Amperaggio	Cooling Freddo	Heater Caldo	Air m <sup>3</sup> /h Aria m <sup>3</sup> /h	Weight Peso	Case Rivestimento
	A0CF00127-00	12 V	15 A	8 kW	6 kW	750	9.8 kg	Plastic injection
	A0CF00128-00	24 V	8 A	8 kW	6 kW	750	9.8 kg	Plastic injection
	A0FF00114-00	12 V	15 A	8 kW	-	750	9 kg	Painted Sheet Metal
	A0FF00115-00	24 V	8 A	8 kW	-	750	9 kg	Painted Sheet Metal