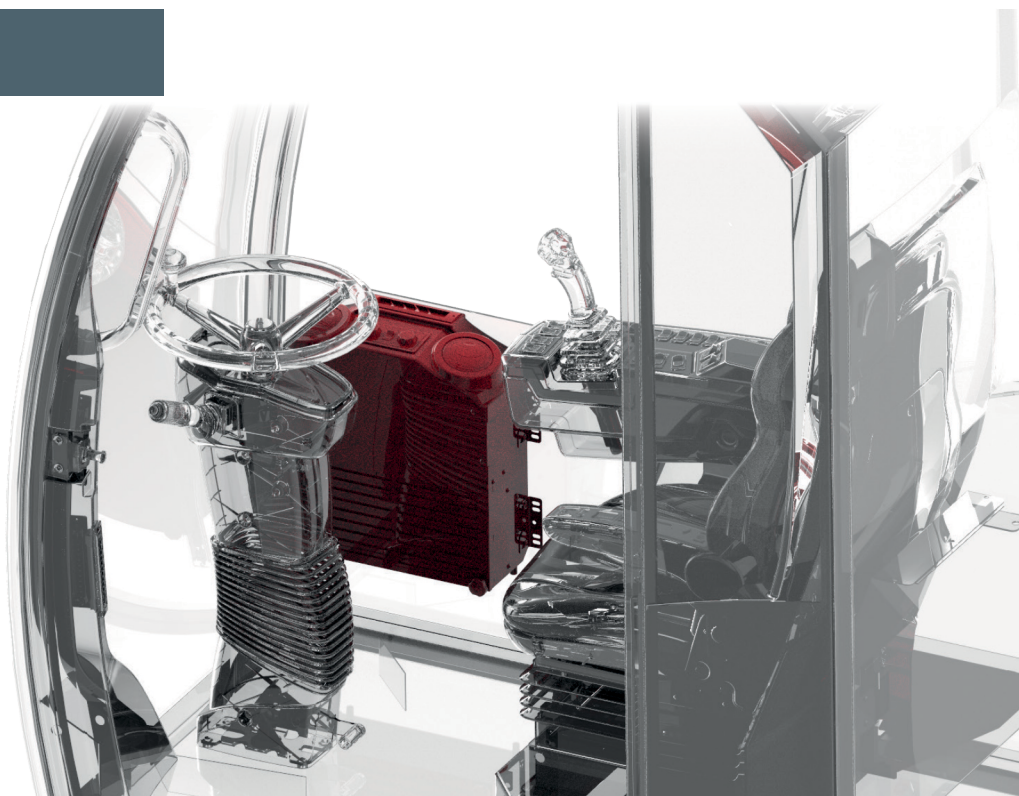


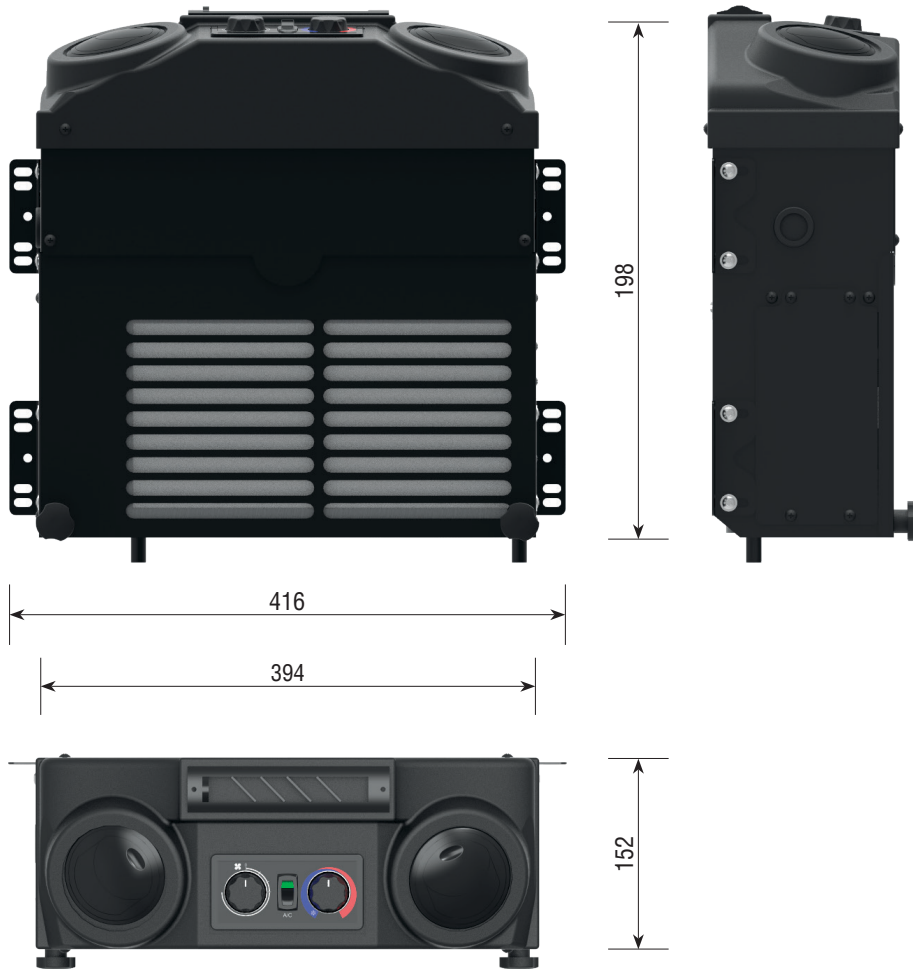
SBURON

Air Conditioner Cooling & Heating
Climatizzatore Caldo e Freddo



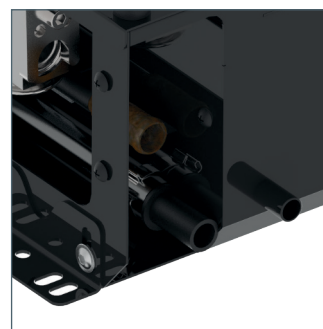
Position in the cabin
Posizione in cabina





Air connector with 2 TON Expansion Valve

Connettore aria con valvola a espansione 2 TON



Water connector diameter 10 or 16 mm

Connettori acqua diametro 10 o 16 mm

SBURON Air Conditioner Cooling & Heating / Climatizzatore Caldo e Freddo

HVAC ❄️ Cooling & Heating / Freddo e Caldo

| Part. Codice | Voltage Voltaggio | Ampere Amperaggio | Cooling Freddo | Heater Caldo | Air m ³ /h Aria m ³ /h | Weight Peso | Case Rivestimento |
|----------------|-------------------|-------------------|----------------|--------------|--|-------------|---------------------|
| ❄️ AOCF00201ES | 12 V | 15 A | 8.5 kW | 7.5 kW | 750 | 9.8 kg | Painted Sheet Metal |
| AOCF00202ES | 24 V | 8 A | 8.5 kW | 7.5 kW | 750 | 9.8 kg | Painted Sheet Metal |